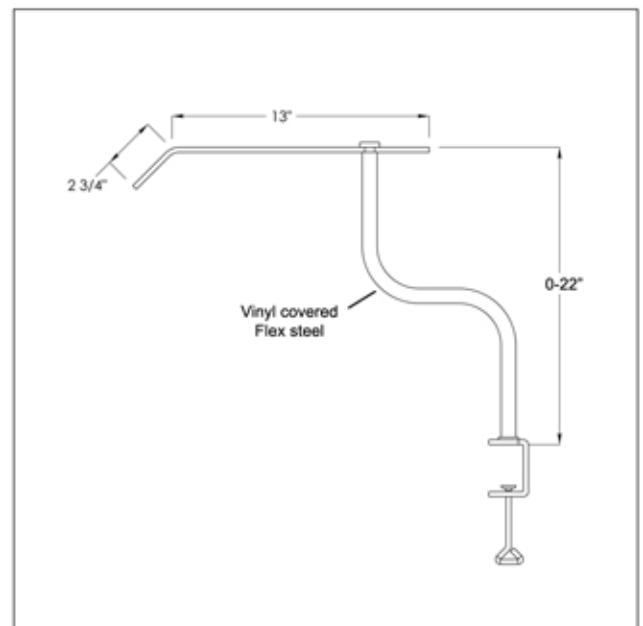
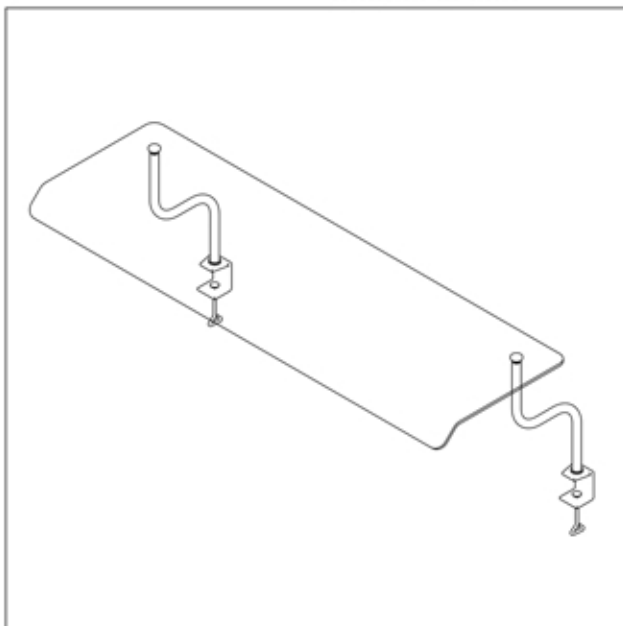
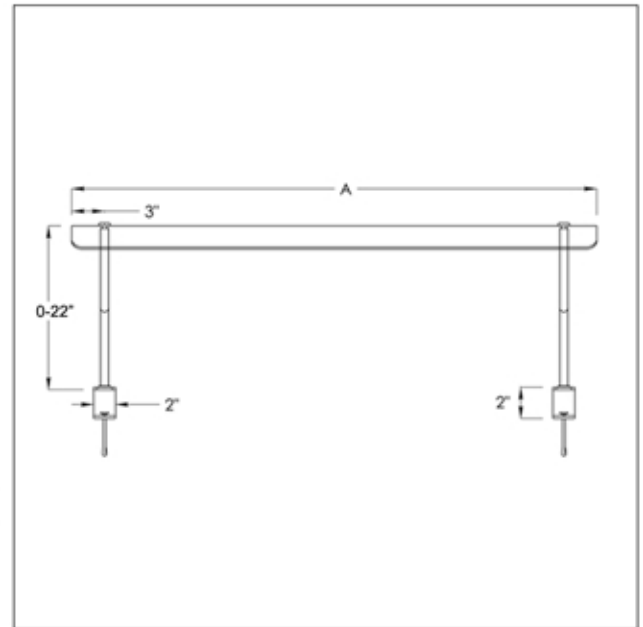


STANDARD SPECIFICATIONS:

ITEM: _____
 QTY: _____
 MODEL: FLEXAGUARD
 LENGTH: 36, 48, 60"

| | A |
|-----------------|-----|
| MODEL F-2136-CS | 36" |
| MODEL F-2148-CS | 48" |
| MODEL F-2160-CS | 60" |

- Vinyl covered flex steel
- One minute set-up / break down
- Clear acrylic with polished edges
- Clamp to front or rear of table
- Powder coated clamp/base
- Adjusts to any position
- Use for self serve or pass over
- 5" & 10" height extenders avail.
- 22" tall, clamp opens to 2"
- Includes both clamp and screw down



U.S. Patents: US D497,739 S
 US D472,083 S
 US D575,560 S
 Additional patents pending