



## STANDARD SPECIFICATIONS:

ITEM: \_\_\_\_\_  
 QTY: \_\_\_\_\_  
 MODEL: **M-106IS**  
 LENGTH: \_\_\_\_\_

### Posts

- 1" Diameter stainless steel post
- 2" Diameter stainless steel flange
- Stainless steel glass clips
- Brushed #4 stainless steel finish

### Unit

- NSF Certified
- Mounting hardware provided
- Clear tempered glass with polished edges
  - 1/4" glass (max. span 40")
  - 3/8" Glass (max. span 60")

## OPTIONS AND ACCESSORIES:

### Tube Size

- 1 1/2" Diameter
- 2" Diameter
- 1 1/2" Square
- 2" Square
- Other \_\_\_\_\_

### Metal Finish

- Mirror Polished #8
- Powder Coat Color  
RAL# \_\_\_\_\_
- Other \_\_\_\_\_

### Glass Options

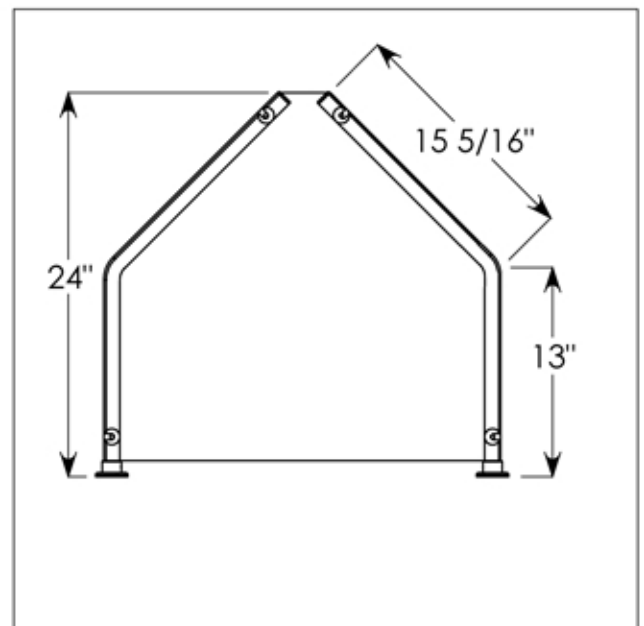
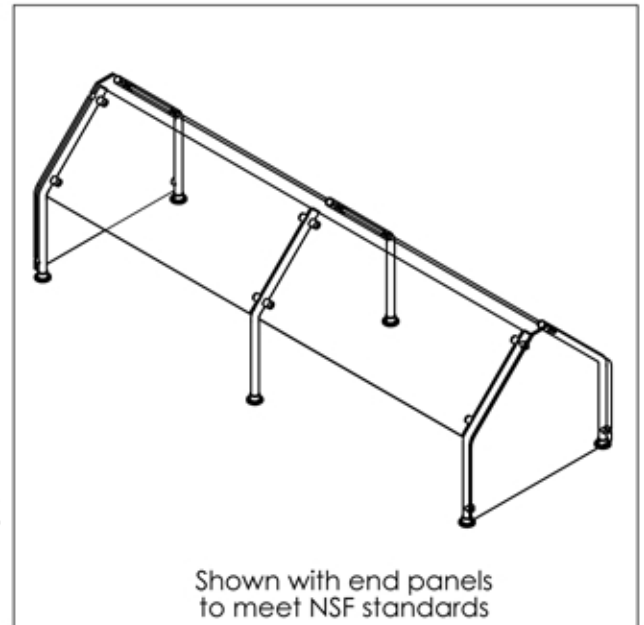
- Frosted
- Frosted logo
- Acrylic

### Accessories

- Channel in lieu of glass clips
- Glass end panels
- Heat strips
- Heat strips with lights
- Fluorescent lights
- LED lights
- Cross supports

### Mounting Options

- Round flange
- Narrow flange
- Undercounter mount
- Heavy duty mount



U.S. Patents: US D497,739 S  
 US D472,083 S  
 US D575,560 S

